

愛迪人工牙根產品型錄

IDEOS

BIOTECH



IDEOSS
BIOTECH



公司簡介	2
產品特色	3
牙科植體	4
植體蓋	6
癒合支臺	7
支臺螺絲	8
解剖支臺	9
角度支臺	10
獨立支臺	11
可鑄造支臺	12
印模柱	13
印模柱螺絲	13
植體相似體	14
電腦輔助設計支臺	15
光學印模柱	18
覆蓋式義齒	19



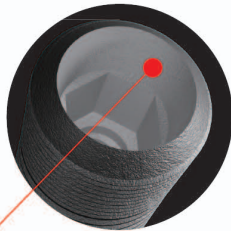
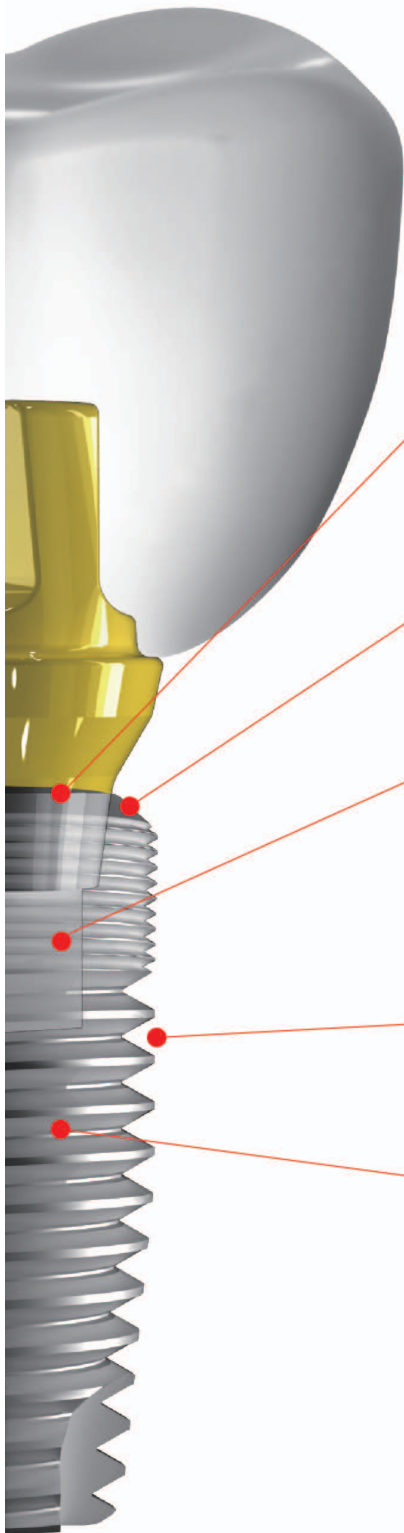
IDEOSS BIOTECH

IDEOSS愛迪生技股份有限公司

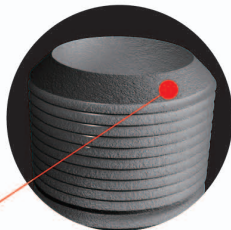
創立於2007年

由專業的各領域牙醫師組成之公司
以發展人工牙根建立台灣品牌為使命
致力於推廣植牙普及化與優質化
全部產品堅持台灣設計，
台灣生產，台灣製造，不假他國之手
也積極培養台灣本土專業的植牙講師
並每年固定發表臨床結果
提供牙醫師高品質的優良植體
讓所有的患者都可以接受良善的
口腔醫療照護

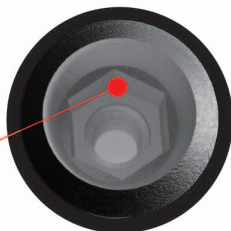




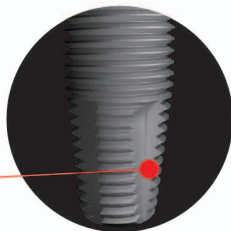
16 ° Morse taper
分散咬合力，防止螺絲鬆脫



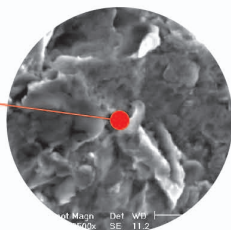
45 ° Switch table
避免應力集中，減少骨吸收



內六角完美定位



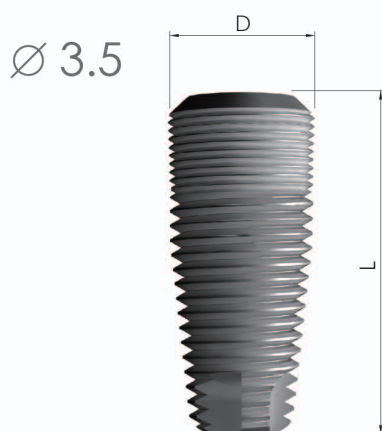
外徑錐形植體，
適用於上顎竇增高術



IonTi+S.L.
表面處理加速骨整合

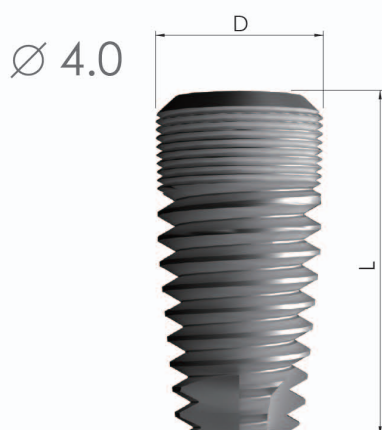
IonTi 表面比一般的噴砂酸蝕有更複雜的表面結構，更適合骨細胞附著與骨整合的達成。IonTi 的處理更可產生近奈米等級的細孔，比一般噴砂酸蝕有更立體的3D結構。齒頸部S.L.處理，適合軟硬組織生長。

牙科植體 Dental Implants



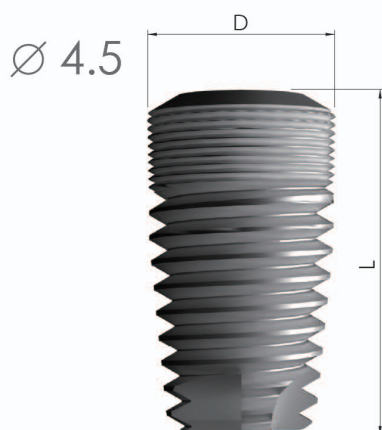
Narrow Connection

D	L	REF. NO.
3.50mm	8.00mm	IF3508
	9.50mm	IF3509
	11.0mm	IF3511
	13.0mm	IF3513
	15.0mm	IF3515



Regular Connection

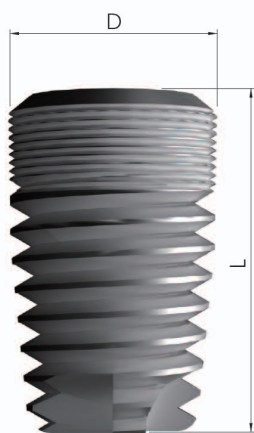
D	L	REF. NO.
4.00mm	8.00mm	IF4008
	9.50mm	IF4009
	11.0mm	IF4011
	13.0mm	IF4013
	15.0mm	IF4015



Regular Connection

D	L	REF. NO.
4.50mm	8.00mm	IF4508
	9.50mm	IF4509
	11.0mm	IF4511
	13.0mm	IF4513
	15.0mm	IF4515

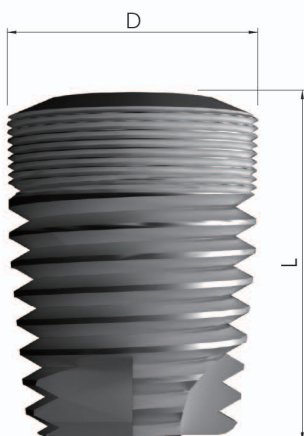
∅ 5.0



Wide Connection

D	L	REF. NO.
5.00mm	8.00mm	IF5008
	9.50mm	IF5009
	11.0mm	IF5011
	13.0mm	IF5013
	15.0mm	IF5015

∅ 6.0



Wide Connection

D	L	REF. NO.
6.00mm	8.00mm	IF6008
	9.50mm	IF6009
	11.0mm	IF6011
	13.0mm	IF6013
	15.0mm	IF6015

植體蓋 Caps

∅ 3.5



Narrow Connection

D	S	REF. NO.
2.63mm	1.2mm	IC35

∅ 4.0
∅ 4.5



Regular Connection

D	S	REF. NO.
3.1mm	1.2mm	IC40

∅ 5.0
∅ 6.0



Wide Connection

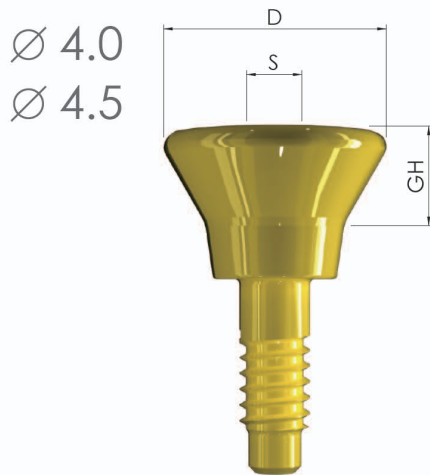
D	S	REF. NO.
4.0mm	1.2mm	IC56



Narrow Connection

For Ø3.5mm Implant

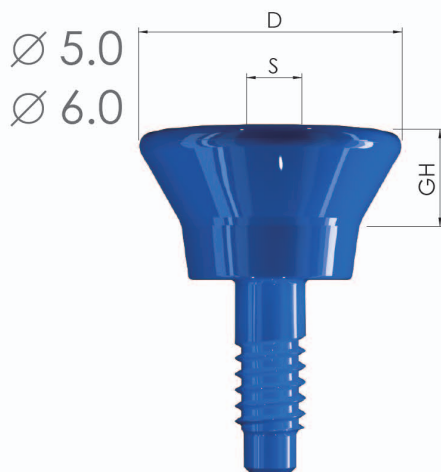
D	GH	S	REF. NO.
4.45mm	2.0mm	1.2mm	IH3502
	4.0mm		IH3504
	6.0mm		IH3506
5.1mm	4.0mm		IHW3504
	6.0mm		IHW3506



Regular Connection

For Ø4.0&4.5mm Implant

D	GH	S	REF. NO.
4.95mm	2.0mm	1.2mm	IH4002
	4.0mm		IH4004
	6.0mm		IH4006
5.6mm	4.0mm		IHW4004
	6.0mm		IHW4006

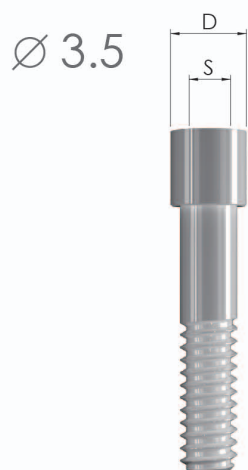


Wide Connection

For Ø5.0&6.0mm Implant

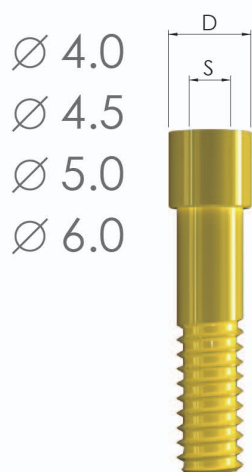
D	GH	S	REF. NO.
5.85mm	2.0mm	1.2mm	IH5602
	4.0mm		IH5604
	6.0mm		IH5606
6.5mm	4.0mm		IHW5604
	6.0mm		IHW5606

支臺螺絲 Abutment Screws



扭力勿超過 25 N-cm
For Ø3.5mm Implant

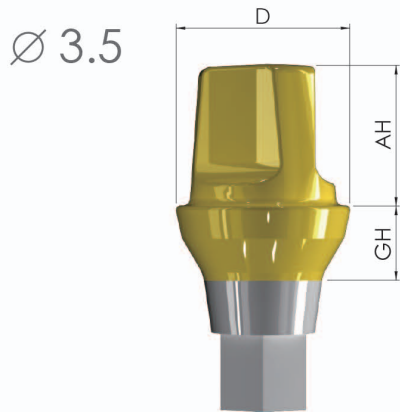
S	D	REF. NO.
1.2mm	1.80mm	AS1484



扭力勿超過 25 N-cm
For Ø4.0&4.5&5.0&6.0mm Implant

S	D	REF. NO.
1.2mm	1.97mm	AS1584

Anatomic Abutments 解剖支臺

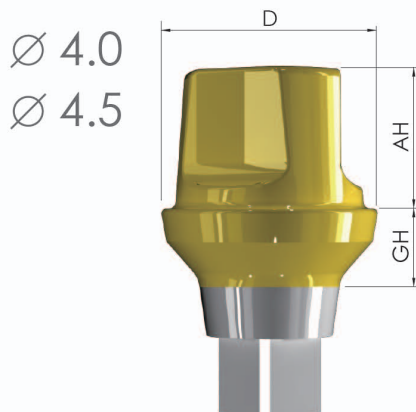


解剖支臺皆附螺絲

AS1484

For Ø3.5mm Implant

D	GH	AH	REF. NO.
3.80mm	1.5mm	3.5mm	AA3515003
		5.0mm	AA3515005
		7.0mm	AA3515007
	3.0mm	3.5mm	AA3530003
		5.0mm	AA3530005
		7.0mm	AA3530007
	5.0mm	5.0mm	AA3550005

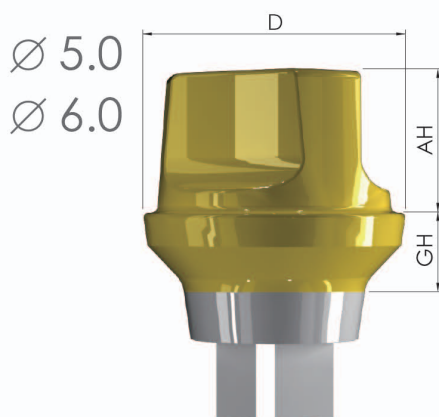


解剖支臺皆附螺絲

AS1584

For Ø4.0&4.5mm Implant

D	GH	AH	REF. NO.
4.71mm	1.5mm	3.5mm	AA4015003
		5.0mm	AA4015005
		7.0mm	AA4015007
	3.0mm	3.5mm	AA4030003
		5.0mm	AA4030005
		7.0mm	AA4030007
	5.0mm	5.0mm	AA4050005



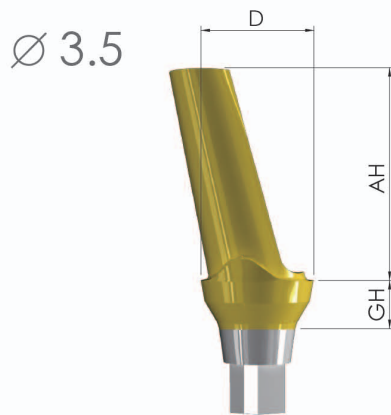
解剖支臺皆附螺絲

AS1584

For Ø5.0&6.0mm Implant

D	GH	AH	REF. NO.
5.70mm	1.5mm	3.5mm	AA5615003
		5.0mm	AA5615005
		7.0mm	AA5615007
	3.0mm	3.5mm	AA5630003
		5.0mm	AA5630005
		7.0mm	AA5630007
	5.0mm	5.0mm	AA5650005

角度支臺 Angled Abutments

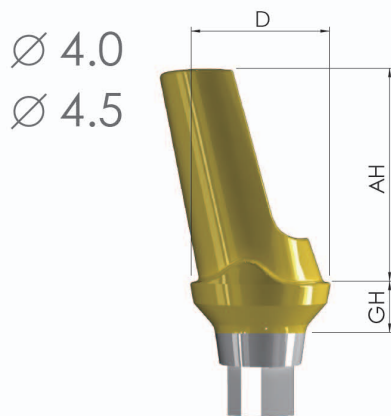


角度支臺皆附螺絲

AS1484

For \varnothing 3.5mm Implant

D	GH		AH	REF. NO.
3.80mm	1.5mm	15 °	7.0mm	AA3515157
		25 °		AA3515257
	3.0mm	15 °	AA3530157	
		25 °	AA3530257	

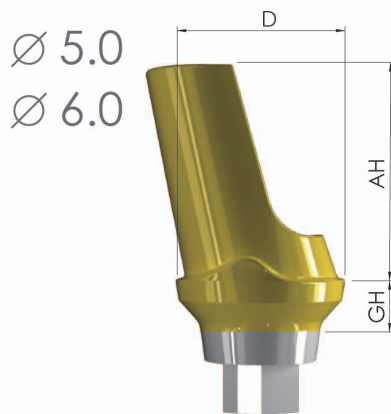


角度支臺皆附螺絲

AS1584

For \varnothing 4.0&4.5mm Implant

D	GH		AH	REF. NO.
4.71mm	1.5mm	15 °	7.0mm	AA4015157
		25 °		AA4015257
	3.0mm	15 °	AA4030157	
		25 °	AA4030257	



角度支臺皆附螺絲

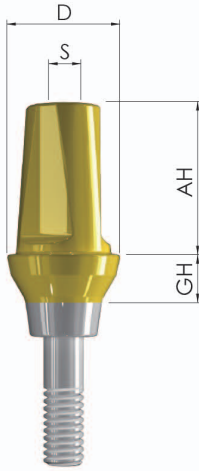
AS1584

For \varnothing 5.0&6.0mm Implant

D	GH		AH	REF. NO.
5.70mm	1.5mm	15 °	7.0mm	AA5615157
		25 °		AA5615257
	3.0mm	15 °	AA5630157	
		25 °	AA5630257	

Unicone Abutments 獨立支臺

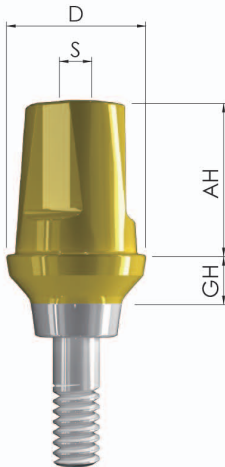
Ø 3.5



For Ø3.5mm Implant

D	GH	AH	S	REF. NO.
3.80mm	1.5mm	3.8mm	1.5mm	UA3515003
		5.5mm		UA3515005
	3.0mm	3.8mm		UA3530003
		5.5mm		UA3530005
	5.0mm	3.8mm		UA3550003
		5.5mm		UA3550005

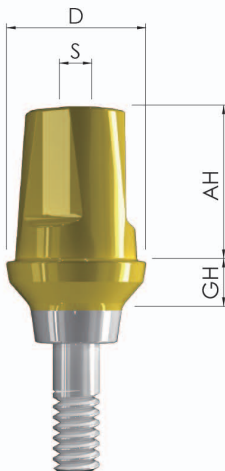
Ø 4.0
Ø 4.5



For Ø4.0&4.5mm Implant

D	GH	AH	S	REF. NO.
5.00mm	1.5mm	3.8mm	1.5mm	UA4015003
		5.5mm		UA4015005
	3.0mm	3.8mm		UA4030003
		5.5mm		UA4030005
	5.0mm	3.8mm		UA4050003
		5.5mm		UA4050005

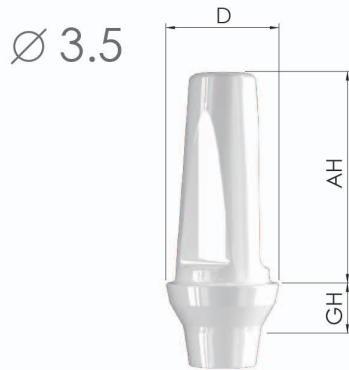
Ø 5.0
Ø 6.0



For Ø5.0&6.0mm Implant

D	GH	AH	S	REF. NO.
5.00mm	1.5mm	3.8mm	1.5mm	UA5615003
		5.5mm		UA5615005
	3.0mm	3.8mm		UA5630003
		5.5mm		UA5630005
	5.0mm	3.8mm		UA5650003
		5.5mm		UA5650005

可鑄造支臺 UCLA Abutments(Non-hex)

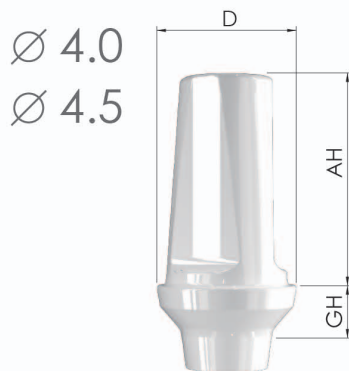


可鑄造支臺皆附螺絲

AS1484

For Ø3.5mm Implant

D	GH	AH	REF. NO.
3.8mm	1.5mm	7.0mm	UCLA3515007

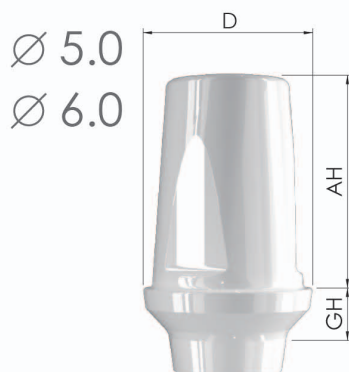


可鑄造支臺皆附螺絲

AS1584

For Ø4.0&4.5mm Implant

D	GH	AH	REF. NO.
4.71mm	1.5mm	7.0mm	UCLA4015007



可鑄造支臺皆附螺絲

AS1584

For Ø5.0&6.0mm Implant

D	GH	AH	REF. NO.
5.7mm	1.5mm	7.0mm	UCLA5615007

Impression Copings & Screws 印模柱 & 印模柱螺絲



Open tray Coping

	D	L	REF. NO.
Ø 3.5mm	3.8mm	8.5mm	IPO35
Ø 4.0/4.5mm	4.71mm		IPO40
Ø 5.0/6.0mm	5.7mm		IPO56



Open tray screw

	D	L	REF. NO.
Ø 3.5mm	3.0mm	25.65mm	ISO35
		30mm	ISO35L
Ø 4.0/4.5mm		25.65mm	ISO40
		30mm	ISO40L
Ø 5.0/6.0mm		25.65mm	ISO56
		30mm	ISO56L



Close tray Coping

	D	L	REF. NO.
Ø 3.5mm	3.8mm	6.5mm	IPC35
Ø 4.0/4.5mm	4.71mm		IPC40
Ø 5.0/6.0mm	5.7mm		IPC56



Close tray screw

	D	L	REF. NO.
Ø 3.5mm	2.7mm	16.11mm	ISC35
		21.36mm	ISC35L
Ø 4.0/4.5mm	3.8mm	17.65mm	ISC40
		22.8mm	ISC40L
Ø 5.0/6.0mm	3.8mm	17.65mm	ISC56
		22.8mm	ISC56L

植體相似體 Model Analogs



For Ø3.5mm Implant

D	REF. NO.
3.5mm	IA35



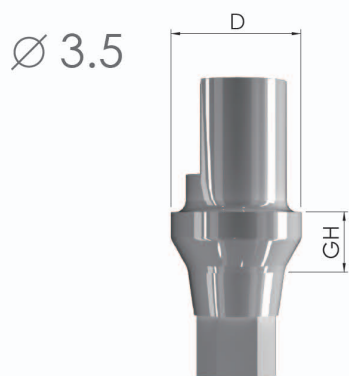
For Ø4.0&4.5mm Implant

D	REF. NO.
4.0mm	IA40



For Ø5.0&6.0mm Implant

D	REF. NO.
5.0mm	IA56

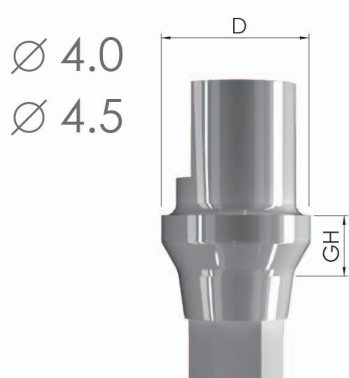


鈦底座皆附螺絲

AS1484

For Ø3.5 mm Implant

D	GH	REF. NO.
3.3mm	1.0mm	CSAB35

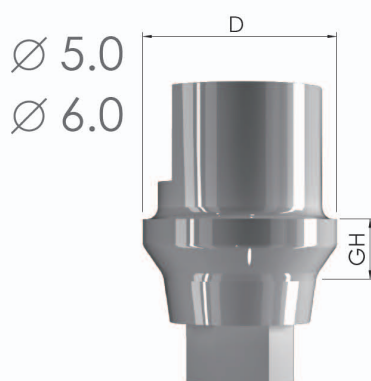


鈦底座皆附螺絲

AS1584

For Ø4.0&4.5 mm Implant

D	GH	REF. NO.
4.0mm	1.0mm	CSAB40



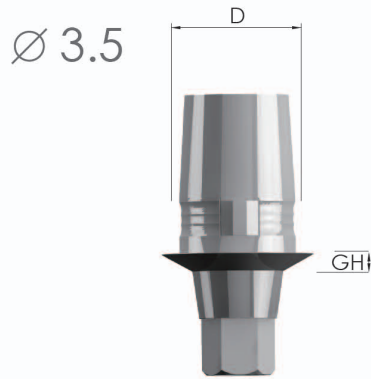
鈦底座皆附螺絲

AS1584

For Ø5.0&6.0 mm Implant

D	GH	REF. NO.
5.2mm	1.0mm	CSAB56

電腦輔助設計支臺 CAD/CAM Abutments

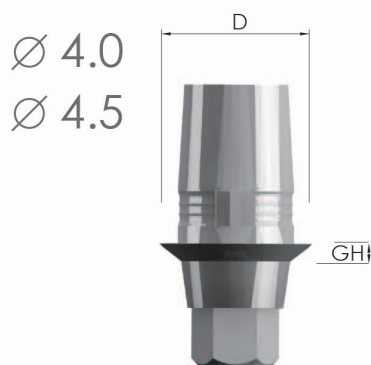


emax 鈦底座皆附螺絲

AS1484

For Ø3.5 mm Implant

D	GH	REF. NO.
4.4mm	0.5mm	CAD35

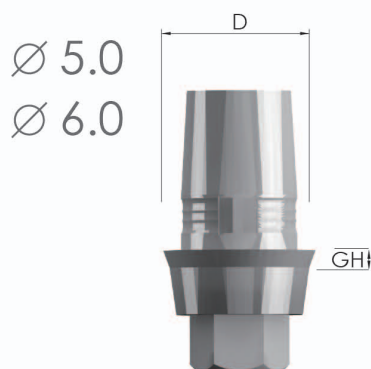


emax 鈦底座皆附螺絲

AS1584

For Ø4.0&4.5 mm Implant

D	GH	REF. NO.
4.4mm	0.5mm	CAD40



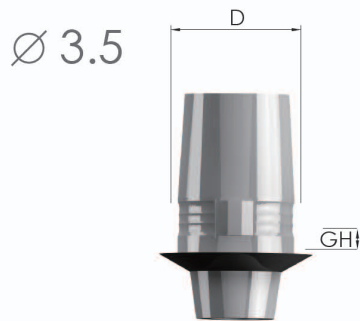
emax 鈦底座皆附螺絲

AS1584

For Ø5.0&6.0 mm Implant

D	GH	REF. NO.
4.4mm	0.5mm	CAD56

CAD/CAM Abutments(Non-hex) 電腦輔助設計支臺

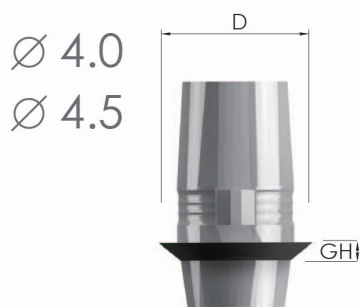


emax 鈦底座皆附螺絲

AS1484

For Ø3.5 mm Implant

D	GH	REF. NO.
4.4mm	0.5mm	CADN35

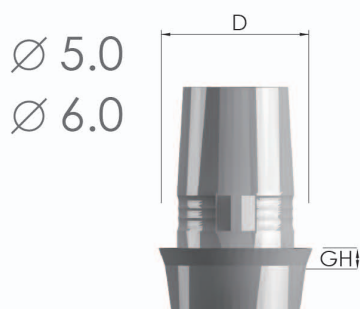


emax 鈦底座皆附螺絲

AS1584

For Ø4.0&4.5 mm Implant

D	GH	REF. NO.
4.4mm	0.5mm	CADN40



emax 鈦底座皆附螺絲

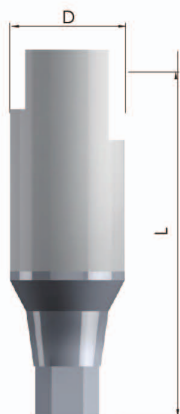
AS1584

For Ø5.0&6.0 mm Implant

D	GH	REF. NO.
4.4mm	0.5mm	CADN56

光學印模柱 CAD/CAM Optical Impression

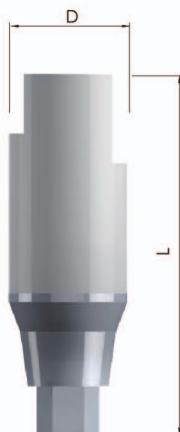
Ø 3.5



For Ø3.5 mm Implant

D	L	REF. NO.
3.8 mm	12.23mm	IOS35
3.8 mm	12.23mm	JIG35 (牙技所使用)

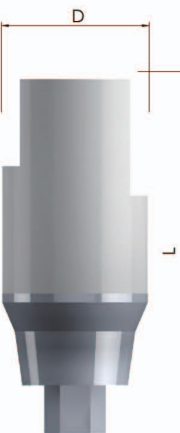
Ø 4.0
Ø 4.5



For Ø4.0 mm、Ø4.5 mm Implant

D	L	REF. NO.
4.0 mm	12.23mm	IOS40
4.0 mm	12.23mm	JIG40 (牙技所使用)

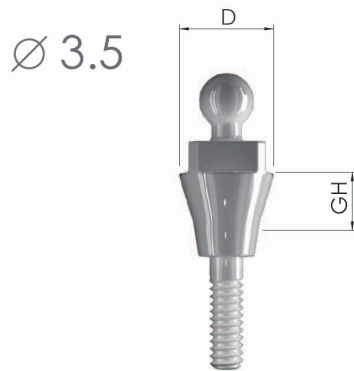
Ø 5.0
Ø 6.0



For Ø5.0 mm、Ø6.0 mm Implant

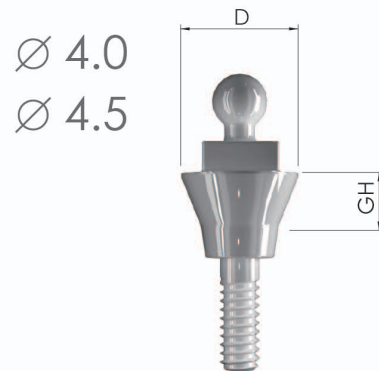
D	L	REF. NO.
5.0 mm	12.23mm	IOS56
5.0 mm	12.23mm	JIG56 (牙技所使用)

圓球支臺 Ball Abutments



For Ø3.5 mm Implant

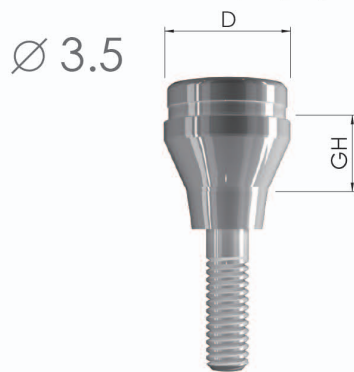
D	GH	REF. NO.
3.8mm	2.0mm	BA3520
	3.5mm	BA3535



For Ø4.0&4.5 mm Implant

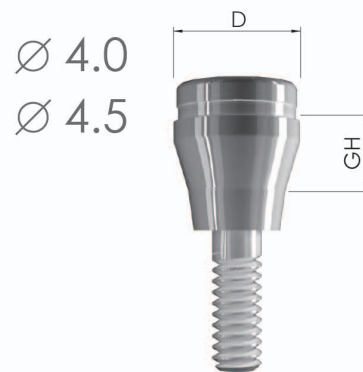
D	GH	REF. NO.
3.8mm	2.0mm	BA4020
	3.5mm	BA4035

定位支臺 LOCATOR Abutments



For Ø3.5 mm Implant

D	GH	REF. NO.
4.05mm	2.0mm	LOC3502
	4.0mm	LOC3504
	6.0mm	LOC3506



For Ø4.0&4.5 mm Implant

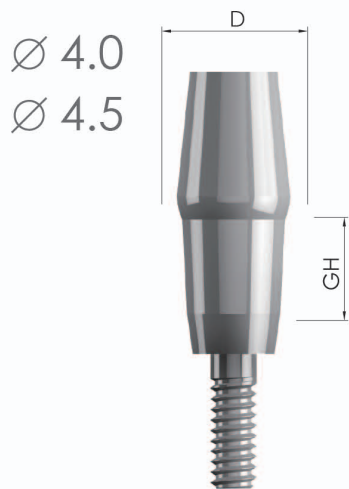
D	GH	REF. NO.
4.05mm	2.0mm	LOC4002
	4.0mm	LOC4004
	6.0mm	LOC4006

套筒式支臺 Telescopic Abutments



For Ø3.5 mm Implant

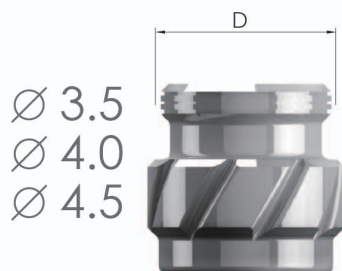
D	GH	REF. NO.
3.8mm	2.0mm	OD3502
	4.0mm	OD3504
	6.0mm	OD3506
	1.5mm	ODA3515
	3.5mm	ODA3535



For Ø4.0&4.5 mm Implant

D	GH	REF. NO.
3.8mm	2.0mm	OD4002
	4.0mm	OD4004
	6.0mm	OD4006
	1.5mm	ODA4015
	3.5mm	ODA4035

套筒式支臺外蓋 Telescopic Caps



For Ø3.5&4.0&4.5 mm Implant

D	REF. NO.
5.2mm	ODC



IDEOSS
BIOTECH



IDEOSS
BIOTECH

愛迪生科技股份有限公司

台北市中正區羅斯福路二段22號2樓

TEL : 02-3322-1004